
MX/LS-Class Pumps



Quick-Start & Safety Warnings

903033 Rev C



Warning Symbols and Task Specific Hazard Warnings:

The following warning symbols are present to alert you to risks that can arise when you install, operate or maintain the MX/LS Class pumps. Such risks include chemical exposure, electric shocks, and others.

When the following symbols appear in the manual, as well as words such as “**CAUTION, NOTE, or WARNING,**” their accompanying text identifies the specific risks and explains how to avoid them. Teledyne SSI assumes no liability for the misuse of the information described in this manual in regards to installation, repair, or operation of the MX-Class and LS-Class pumps and their components.

SAFETY SYMBOLS



CAUTION – HIGH VOLTAGE



CAUTION – REFER TO MANUAL



EARTH GROUND

SYMBOLES DE SÉCURITÉ



ATTENTION – HAUTE TENSION



ATTENTION – SE REPORTER AU MANUEL

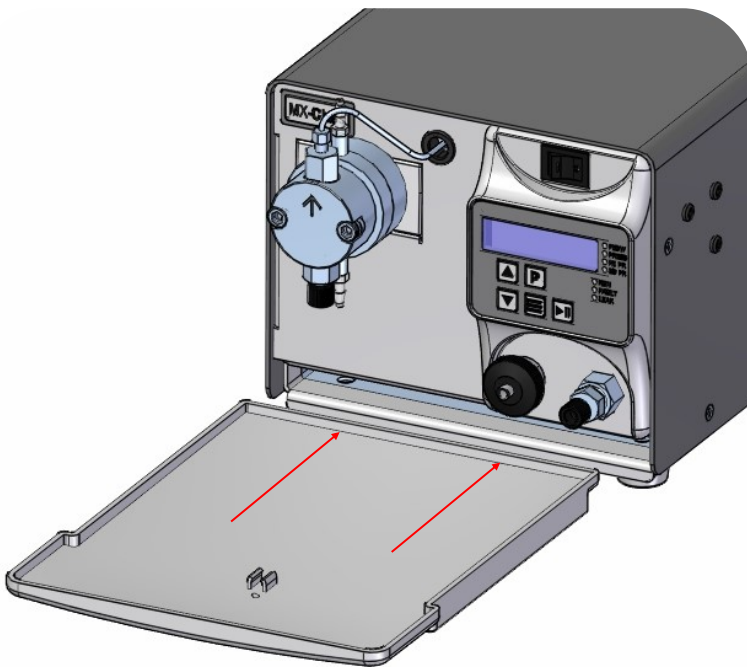


TERRE

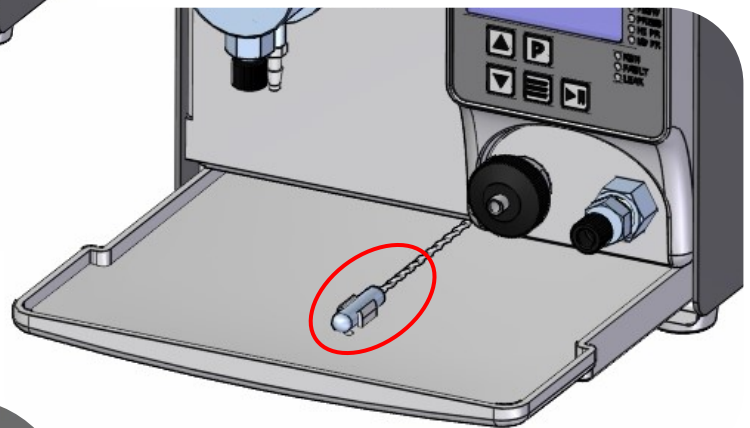


LEAK SENSOR AND DRIP TRAY

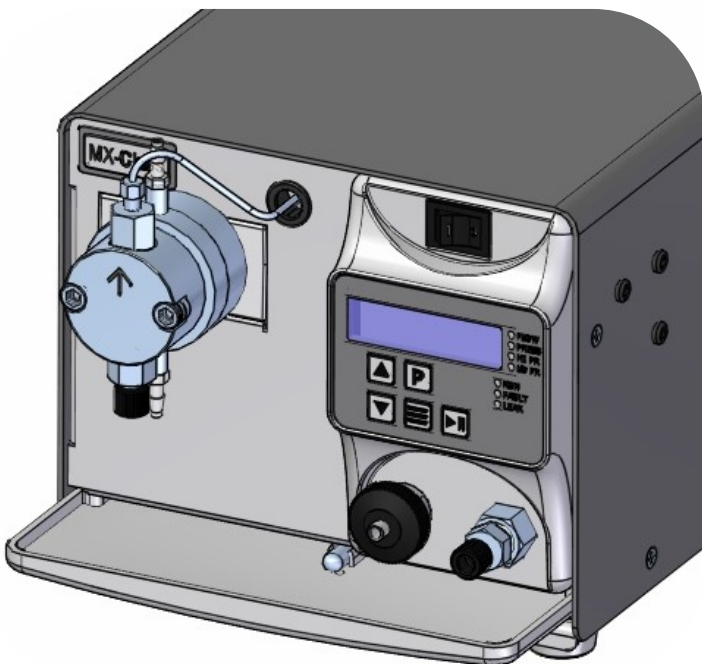
The drip tray does not ship installed; Locate the drip tray and slide it into its slot towards the bottom of the pump until it is fully installed. If the pump is supplied with a leak sensor, install this into the slot in the drip tray. Please note, the leak sensor is connected to the control board inside the pump; do not pull on the leak sensor or attempt to completely remove this from the pump unless it is first disconnected from the board.



The drip tray is to be installed in the slot near the bottom of the pump.



When the drip tray is about half way in; snap the leak sensor into place.



After the leak sensor is installed, the drip tray may be slid all the way back.

TUBING CONNECTIONS

Solutions of 250-500mL of either 100% IPA, 100% Methanol, 20% IPA/water mix, or 20% Methanol/water mix are the required choices for the flush solution. Do not use only water for the self-flush solution (e.g. DI water, tap water, filtered water), as water alone can cause abrasion of the high-pressure piston seal, as well as the self-flush seal. If there is any doubt about which self-flush solution to use, please consult the factory.



Self-Flush

- Connect the self-flush inlet tubing to the self-flush inlet line.
- Attach the small piece of supplied tubing to the self-flush outlet connection.
- Attach the syringe to the small piece of outlet tubing.
- Draw the syringe back to prime. *Draw approximately 20 mL of fluid.*
- Remove the syringe and replace the small piece of tubing with the self-flush outlet tubing.
- Place the self-flush outlet tubing in the self-flush solution.

**Replace self-flush solution weekly.*

Pump

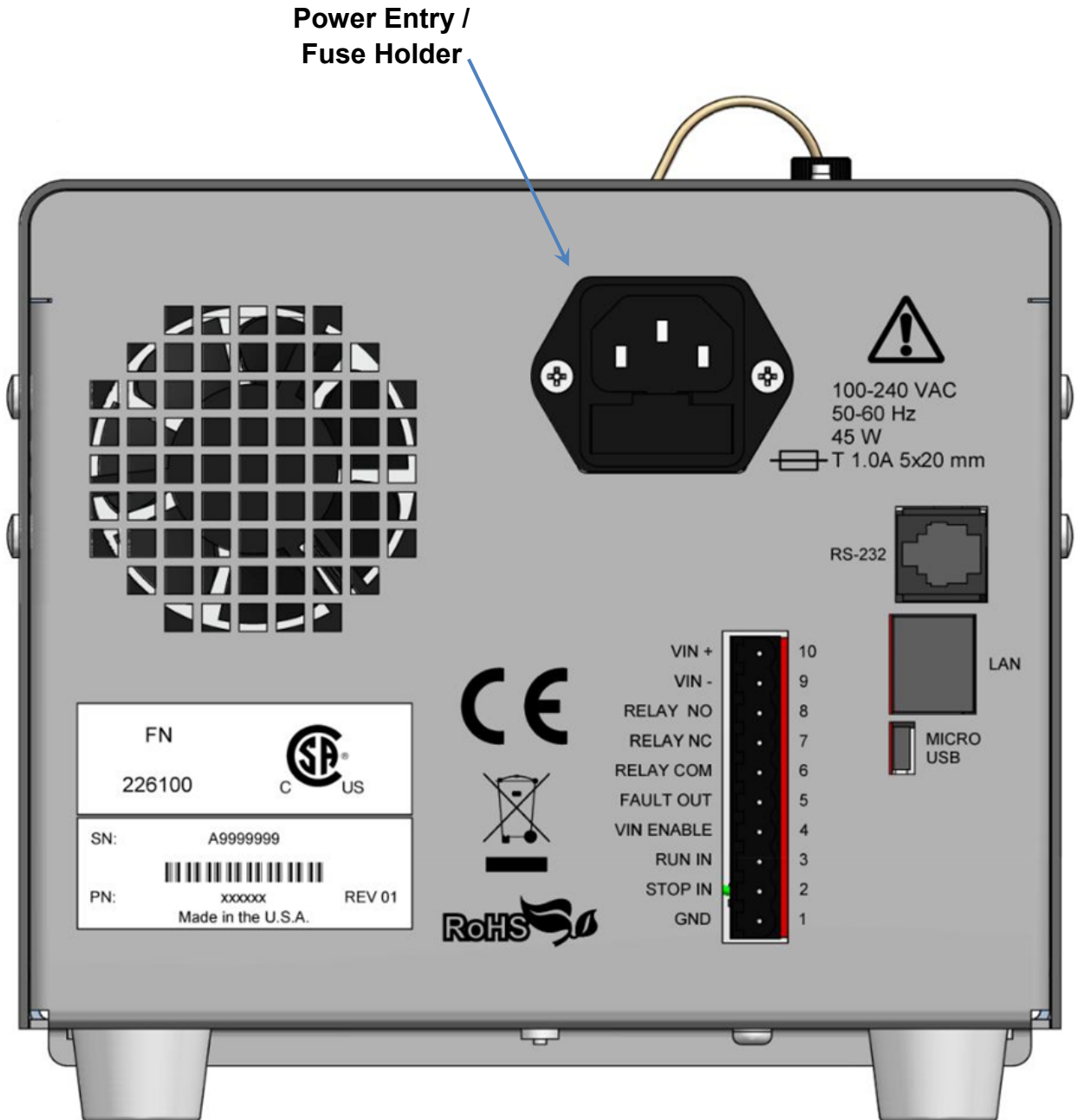
- Connect pump inlet tubing as shown. *Make sure ferrule is in the correct position.*
- Attach syringe to Prime/Purge valve.
- Open Prime/Purge valve by turning knob counterclockwise one to two turns.
- Draw syringe back to prime. *Draw approximately 20 mL of fluid.*
- Press PRIME button (P), continue to draw on syringe until no bubbles are seen.
- Close Prime / Purge valve.
- Press PRIME button (P).
- Remove syringe.

**Replace solvent weekly.*



ELECTRICAL CONNECTIONS

Micro USB, RS-232C and LAN ports are provided on the back panel. A computer with appropriate software can be used to control the pump operation remotely via these connections. See Appendix A in the manual for more details on connections and operation.



WARNING: Do not bypass the safety ground connection as a serious shock hazard could result.

For your operator manual please visit: [Documents, Manuals, and Downloads - Teledyne SSI](http://www.teledynessi.com/manuals) (www.teledynessi.com/manuals)

Issues may often be resolved without returning the instrument to the service center. Please call the applicable Repair Services number below prior to requesting a RMA.

Warranty terms available at: [Warranty Statement Standalone Pumps \(teledynessi.com\)](http://www.teledynessi.com)

Company Contact Information

Teledyne SSI

349 Science Park Road
State College, PA 16803

800-441-HPLC (4752)

Technical Support: 814-234-7311

Sales: Option 2

Technical & Service Support: Option 3